

Service Trolleys Rack Trolley for 20 GN 1/1

ITEM # _____

MODEL # _____

NAME # _____

SIS # _____

AIA # _____



361130 (RTT20)

 Rack Trolley receiving
 20x1/1GN-EN

Short Form Specification

Item No. _____

Constructed in AISI 304 stainless steel. Framework in square 25x25mm tubing. Tray supports, in chromium plated galvanised steel, can slide up/down for cleaning. Designed to hold trays or containers placed in two rows (10+10). Removable top shelf for collection of glasses and bottles. N. 4 pivoting wheels mm125 in diameter, of which 2 with brakes, with support in chromium plated galvanised steel. Wheels are fitted with grey plastic bumpers. Durable no-mark tread on the wheels. Delivered already assembled.

Main Features

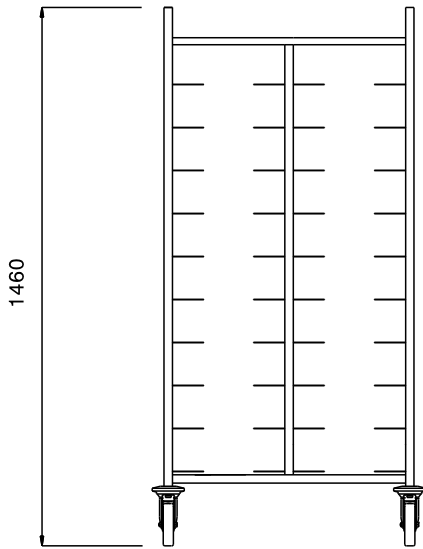
- Framework in square 25x25 mm tubing, completely welded.
- Chromium plated galvanised steel tray supports can be slid up/down for cleaning.
- Removable top shelf for collection of glasses and bottles.
- Accomodates 20 GN trays or containers placed in single row.
- 4 pivoting Ø 125 mm wheels, 2 of which with brakes, fitted with plastic bumpers and support in chromium plated galvanised steel.

Construction

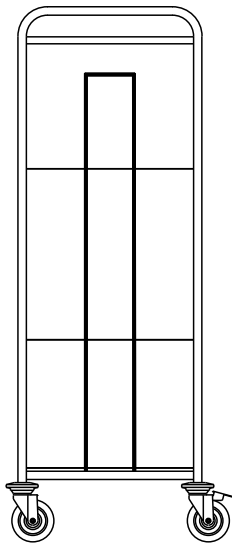
- Constructed entirely in 304 AISI stainless steel.

APPROVAL: _____

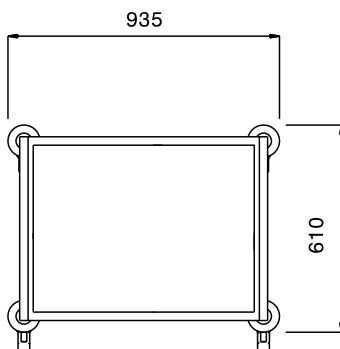
Front



Side



Top



Key Information:

External dimensions, Width:	
361130 (RTT20)	935 mm
External dimensions, Depth:	610 mm
External dimensions, Height:	1460 mm
Wheel material:	Zinc plated
Wheel diameter:	Ø 125
Net weight:	38 kg